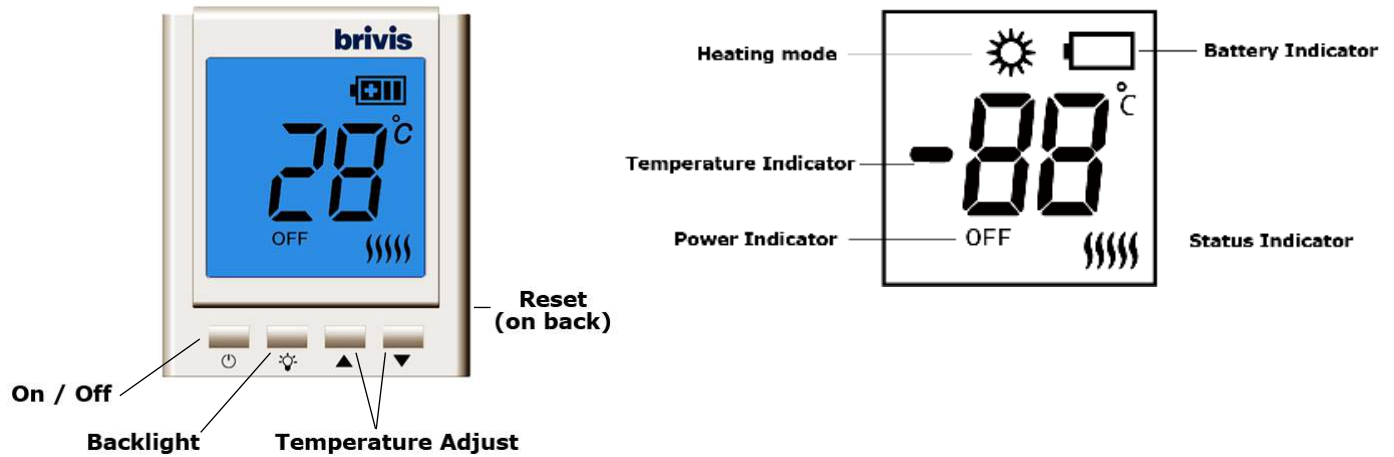


# DIGITAL ROOM THERMOSTAT

## 1. Description

The Brivis Digital Room Thermostat is an easy to operate manual thermostat.



## 2. Main Features

Power Source:	2 x 1.5V AA Battery
Battery Life:	1 year (typical operation)
Protection Class:	IP30
Switch Function / Capacity:	36V AC or DC, 1.0 Amp maximum
Temperature Setpoint Range:	5°C to 35°C
Temperature Display Range:	-9°C to 50°C
Temperature Control Accuracy:	1°C
Returned Temperature:	1°C
Storage Temperature Range:	-20°C to 70°C
Dimensions:	100mm (L) x 85mm (W) x 25mm (H)
Weight:	180 grams (excluding batteries)

## 2. Specifications (Electrical Data)

- (1). 0 to 36Vac 50/60Hz or DC
- (2). 0.05 to 1.0 Amps (load per terminal)
- (3). 1.0 Amps Maximum Total (all terminals)

## 3. Operating Instructions

### 1). Startup

Fit the battery, press [⏻], the LCD flashes with the set temperature, then displays the working mode icon and environment temperature (factory default set temperature is 18°C).

### 2). Power-off

Pressing [⏻] powers the thermostat on / off. Whilst off the current environment temperature remains on display.

### 3. Backlight

Press [☀️], [▲] or [▼], to enable the backlight. The backlight will go off several seconds after last button press.

#### 4. Setting Temperature

Press [▲] or [▼] to set the temperature.


#### 5. Working status

This symbol  indicates that the thermostat is heating.

#### 6). Restore factory defaults

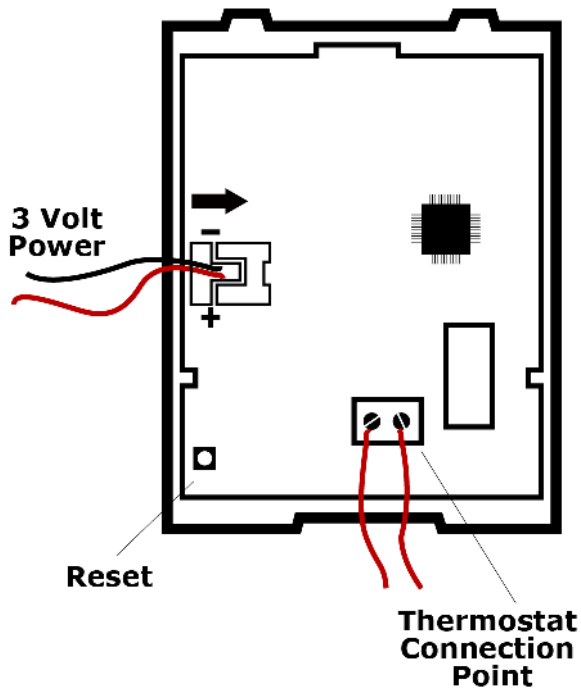
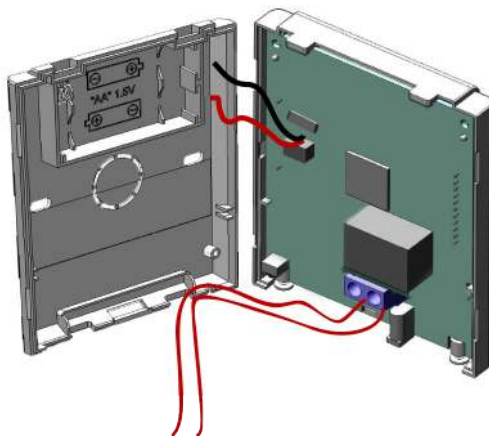
Press the [RESET] button on the back of the thermostat to restore factory defaults.

#### 7). Low battery indicator

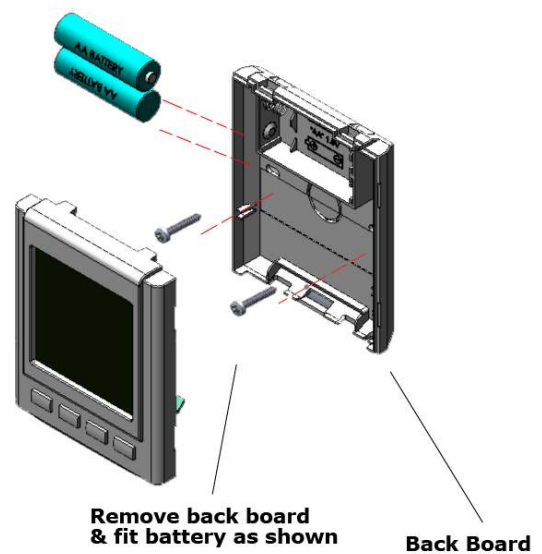
When the low battery  indicator flashes replace the batteries immediately.

## 4. Wiring & Installation

### Wiring



### Installation



- 1). Fix the back board onto a wall
- 2). Insert batteries into the thermostat
- 3). Attach the thermostat to the backboard

